

## iDS-UVC-X28 Smart Conference Camera



- Integrated design, plug and play, camera, microphone, and speaker all in one to meet the needs of video conference.
- Ultra high definition 4K camera provides high-definition meeting pictures.
- AI applications such as automatic framing and speaker tracking contribute to efficient meetings.
- Array microphone and high-fidelity speakers for ultimate audio experience.
- Supports HDR, intelligently adjusting video settings in all lighting conditions, to capture the best image of everyone on camera.
- Good compatibility, suitable for mainstream cloud conference platforms.
- Automatic privacy cover to meet the privacy requirements of user meeting rooms.
- Built-in 8-array microphones, 6-meter sound collection, meeting the needs of small and medium-sized conference rooms.

## ▪ Specification

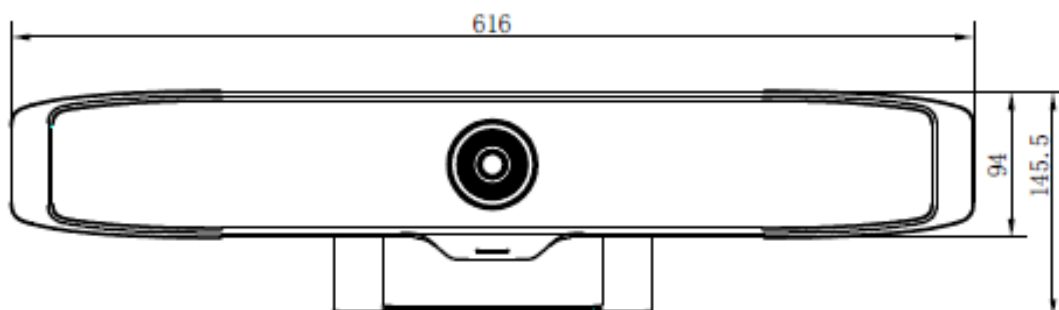
Camera	
Image Sensor	1/2.8" progressive scan CMOS
Max. Resolution	MJPEG: 4K@30 fps (USB3.0), 1080P@30 fps (USB2.0) H.264: 4K@30 fps
Shutter Time	10 us ~ 33333 us
Preset	Supports 5 preset positions
Digital Zoom	3 × digital zoom
Lens	
Focal Length & FOV	Focal Length:2.02mm Diagonal FOV: 118.8° Horizontal FOV:109.9° Vertical FOV:74.6°
Aperture	f/2.5
Microphone	
Type	360° Omni-direction
Pickup Distance	In the radius up to 6m
Amount	8
SNR	≥ 60 db
3A Algorithm	AEC, ANS, AGC
Sampling Rate	48 KHz
Speaker	
Effective Bandwidth (-10 dB)	150hz-18khz
Functions	
LED Indicator	White: Normally working Red: Standby
Smart Auto Frame	The camera adjusts the best view angle according to the participants number of the conference.
Smart Speaker Tracking	The camera automatically tracks and focuses on the speaker during the conference.
Image	
Image Enhancement	BLC
Privacy Mask	electric privacy mask
White Balance	Auto white balance mode, daylight mode, natural light mode, warm light mode, sodium lamp mode, lock white balance mode
Interface	
Built-in Speaker	10W Hi-Fi Speaker
Power Output	10W

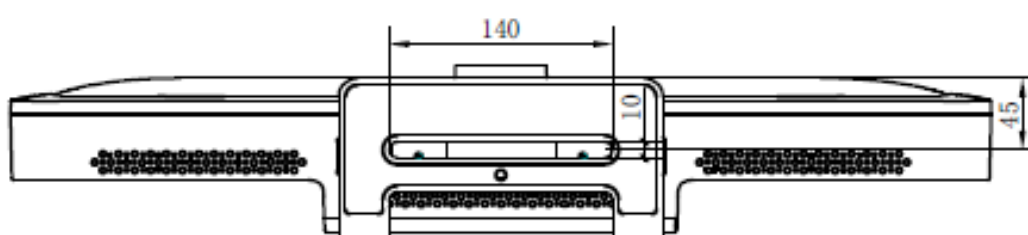
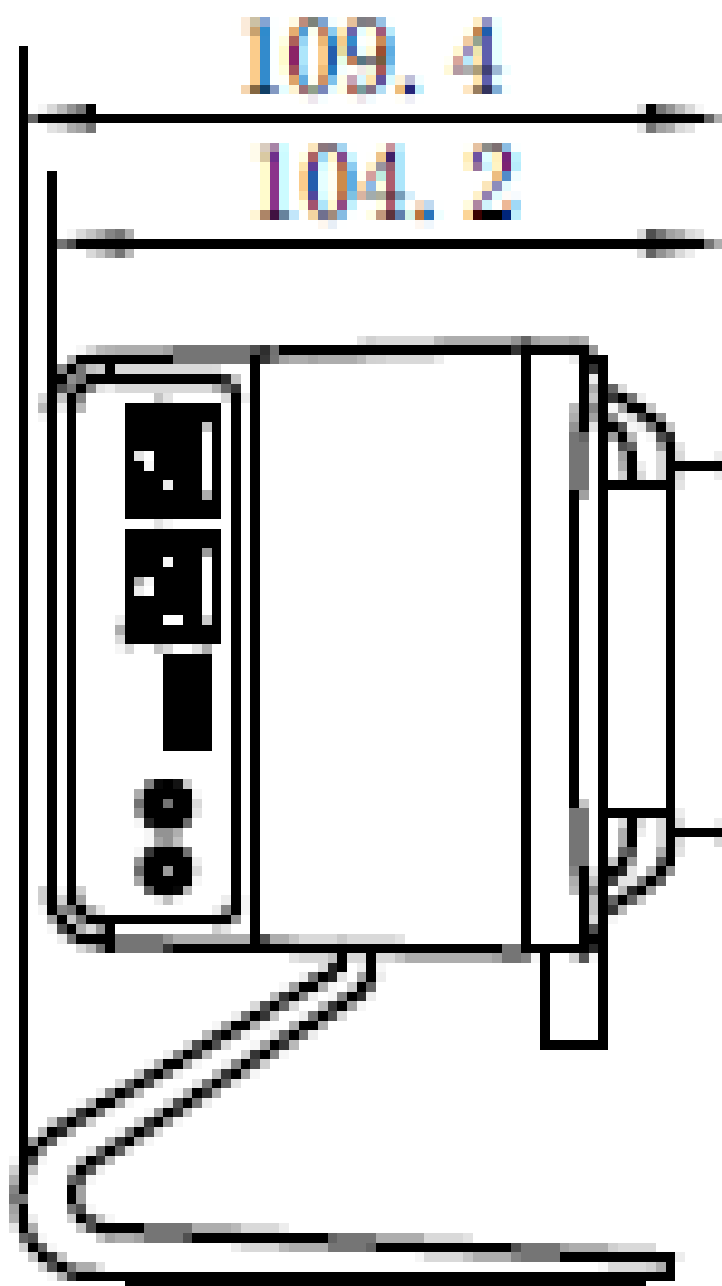
Device Interface	1 x HDMI OUT 1 x RJ45 1000BASE-T (network interface reserved) 1 x USB 3.0, type-C interface 1 x MIC USB 1 x Power interface
<b>General</b>	
Power	DC 12V±5%, MAX 12.06W
Dimension	616 × 145 ×104.23mm
Operating Condition	Operating Temperature:0 °C - 40 °C;Operating Humidity:10% - 90%
Package Dimension	727x 227 x 213mm
With Package Weight	≈5.360KG
Packing List	1 x Smart Conference Camera; 1 x Power Adpter 1 x Remote control 2 x AAA Battery 1 x 2m USB Type-C cable 1 x NFC Sticker 1 x Desk mouting bracket 1 x Screw Pack 1 x QR code paper card for User Manual × 1
Bluetooth	Support audio bluetooth and remote control bluetooth
<b>Video</b>	
Video In Resolution	4K@30fps
Video Out Resolution	4K@30fps, 1080p@60fps, 720p@60fps

▪ **Available Model**

iDS-UVC-X28(STD)

▪ **Dimension**







**Headquarters**

No.555 Qianmo Road, Binjiang District,  
Hangzhou 310051, China  
T +86-571-8807-5998  
www.hikvision.com



Follow us on social media to get the latest product and solution information.

